


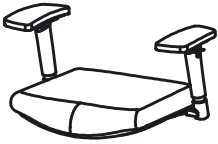
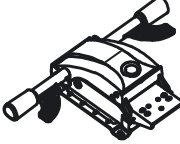
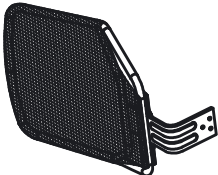





OFFICE CHAIR 35

NO.	Parts List	Q'ty
①		X1
②		X5
③		X1
④		X1
⑤		X1
⑥		X1
⑦	 M6X25	X4
⑧	 M8X16	X3
⑨		X1

