


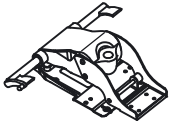

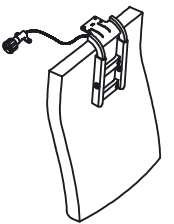







# OFFICE CHAIR 56

NO.	Parts List	Q'ty
①		X1
②		X1
③		X5
④		X1
⑤		X1
⑥		X1
⑦	 M6X16	X4
⑧	 M8X17	X2
⑨	 M6X20	X2
⑩	 M8X16	X4
⑪		X1

